



H1BF 160A-550A

Class of operation: aR

保护特性: aR



Standard/ 标准: IEC 60269-4, GB/T 13539.4, UL248-13

INTERRUPTING CAPACITY/ 分断能力:

100,000 amperes at 1250V AC
50,000 amperes at 1000V DC

TECHNICAL PARAMETERS/ 技术参数:

PART NO. 目录编号		额定电流 Rated Current	额定电压 Rated Voltage	SAFETY APPROVALS 安全认证		
Type-A Type center Indicator for micro	Type-C Visual Indicator			TUV	CE	CCC
H1BF160	H1BF160C	160A		●	●	●
H1BF200	H1BF200C	200A		●	●	●
H1BF250	H1BF250C	250A		●	●	●
H1BF315	H1BF315C	315A		●	●	●
H1BF350	H1BF350C	350A	1250V AC	●	●	●
H1BF400	H1BF400C	400A	1000V DC	●	●	●
H1BF450	H1BF450C	450A		●	●	●
H1BF500	H1BF500C	500A		●	●	●
H1BF550	H1BF550C	550A		●	●	●

● DENOTES FOR APPROVAL
○ DENOTES FOR PENDING

● 表示已取得安全认证
○ 表示正在申请安全认证

可选配件 Optional Accessory

目录编号 PART NO.

微动开关 Microswitches

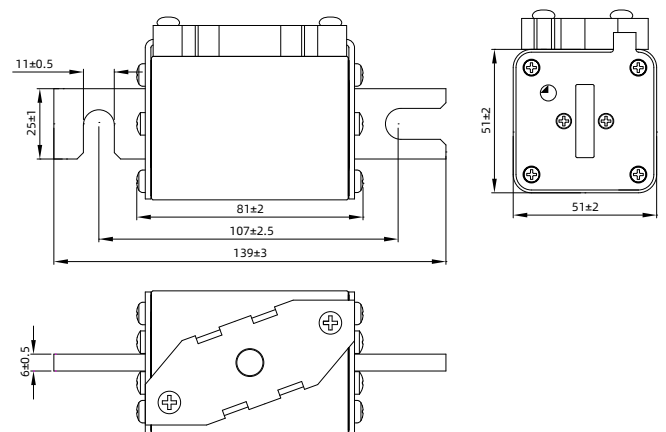
H1BFXXX

HMC-01

Dimensions/ 尺寸:

Unit 单位: mm

Type-A



Type-C

